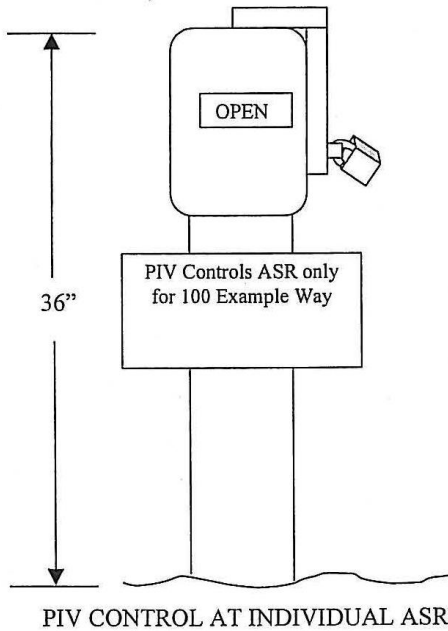
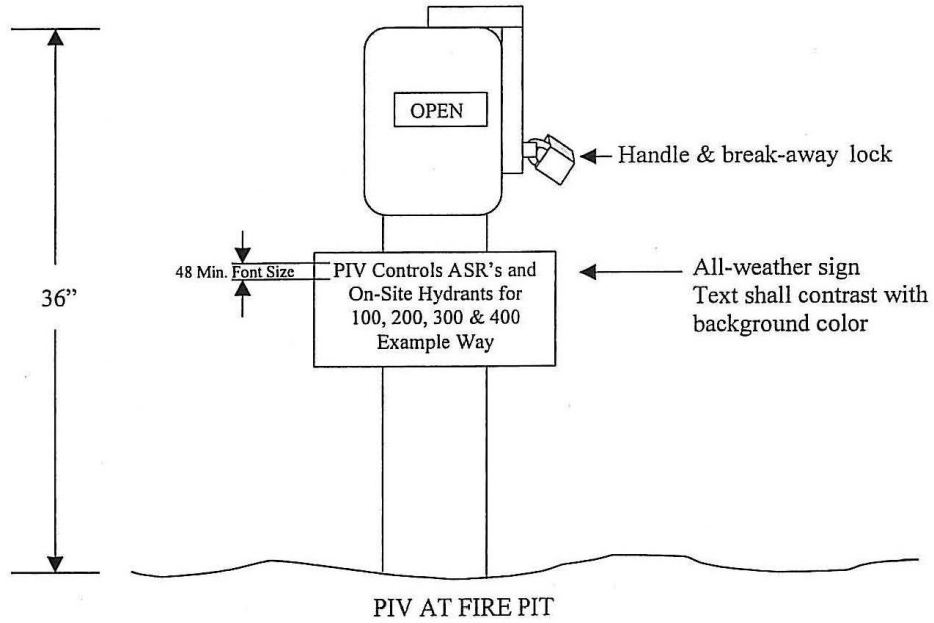


SIGN EXAMPLES

POST INDICATOR VALVE DETAILS (Not to scale)



General Provisions

1. PIV's shall be provided with handles and break-away locks.
2. PIV's shall be provided with all-weather signs.
3. Signs shall indicate systems served (i.e. – ASR's, standpipes, on-site hydrants, wharf hydrants).
4. Exterior, above-grade, indicating control valves shall be provided for each automatic sprinkler system riser so that the water supply remains in service for other systems supplied when any one automatic sprinkler riser is shut down.